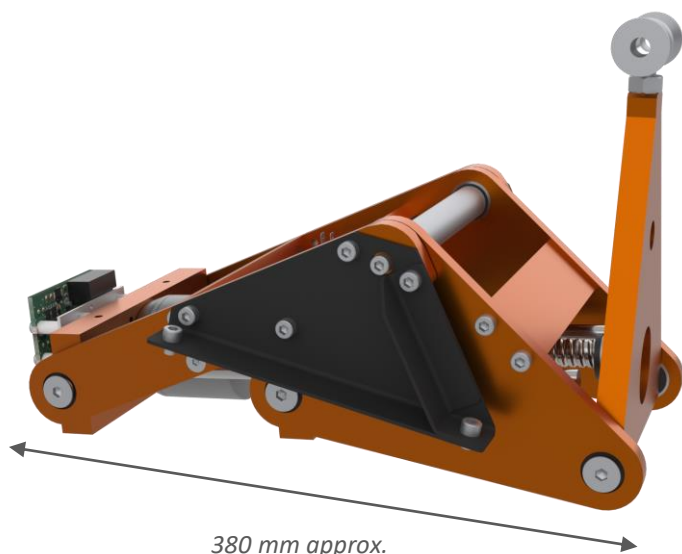


ACM-20 Crank Actuator

High performance · Robust · Versatile

- Compact electromechanical crank actuator
- High speed & high force/load capacity and ready support by Actuate Motion cueing software make it ideal for motion simulators
- General industrial purposes, particularly those requiring high power



The ACM-20 crank actuator delivers powerful performance and minimum maintenance in a compact form

- Fully ball-raced crank & ball screw mechanism (no plain bearings)
- High powered BLDC motors utilising high speed closed loop FO control system

Key data

Power requirements 12-42VDC, 2.4 Kw max

Control interface USB or RS485 connection to host PC

Safety features Normally closed failsafe emergency stop loop for multiple e-stop buttons. Stop and hold position on loop break. Fall arrest on power failure.

Motion

Range	Speed	Force	Resolution
200 mm	750 mm/s	512 Kgf	0.0023 mm

Motion simulation Ready implementation of 3-DoF motion simulator by simple addition of chassis. Also configurable for 2, 4 & 6-DoF motion simulators. Please contact us to discuss requirements.